



UNIVERSITY OF CAMBRIDGE INTERNATIONAL EXAMINATIONS  
General Certificate of Education  
Advanced Subsidiary Level and Advanced Level

CANDIDATE  
NAME

CENTRE  
NUMBER

--	--	--	--	--

CANDIDATE  
NUMBER

--	--	--	--



**PHYSICS**

**9702/33**

Paper 31 Advanced Practical Skills 1

**May/June 2010**

**2 hours**

Candidates answer on the Question Paper.

Additional Materials: As listed in the Confidential Instructions.

**READ THESE INSTRUCTIONS FIRST**

Write your Centre number, candidate number and name on all the work you hand in.  
Write in dark blue or black pen.  
You may use a soft pencil for any diagrams, graphs or rough working.  
Do not use staples, paper clips, highlighters, glue or correction fluid.  
DO **NOT** WRITE IN ANY BARCODES.

Answer **both** questions.

You will be allowed to work with the apparatus for a maximum of one hour for each question.  
You are expected to record all your observations as soon as these observations are made, and to plan the presentation of the records so that it is not necessary to make a fair copy of them.  
You may lose marks if you do not show your working or if you do not use appropriate units.

Additional answer paper and graph paper should be used only if it becomes necessary to do so.  
You are reminded of the need for good English and clear presentation in your answers.

At the end of the examination, fasten all your work securely together.  
All questions in this paper carry equal marks.

For Examiner's Use	
1	
2	
<b>Total</b>	

This document consists of **9** printed pages and **3** blank pages.





You may not need to use all of the materials provided.

- 1 In this experiment, you will investigate how the current through a semiconductor diode depends on the voltage across it.

- (a) Assemble the circuit of Fig. 1.1.  
Make sure that the diode is connected the correct way round.

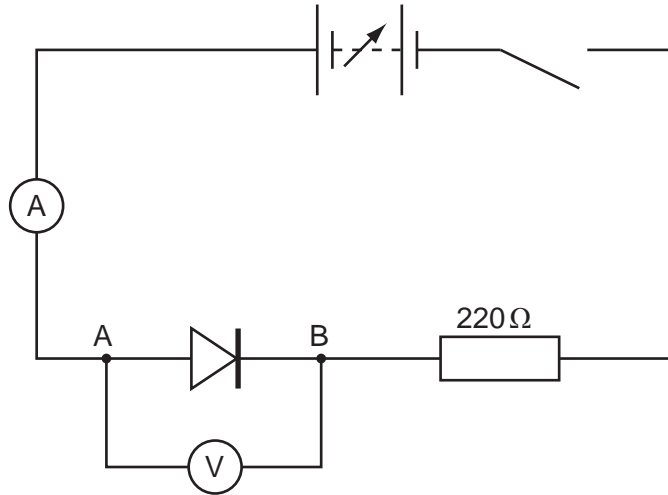


Fig. 1.1

- (b) Set the power supply voltage to 12V and close the switch.  
Record the voltmeter reading  $V$  and the ammeter reading  $I$ .  
You should find that  $I$  is at least 0.02 A.

$V =$  .....

$I =$  .....

- (c) Reduce the power supply voltage, recording  $V$  and  $I$  until you have six sets of readings.

Open the switch when you have finished your measurements.

Include in your table of results the values of  $V^{10}$ .  
 ( $V^{10} = V \times V \times V \times V \times V \times V \times V \times V \times V \times V$ )



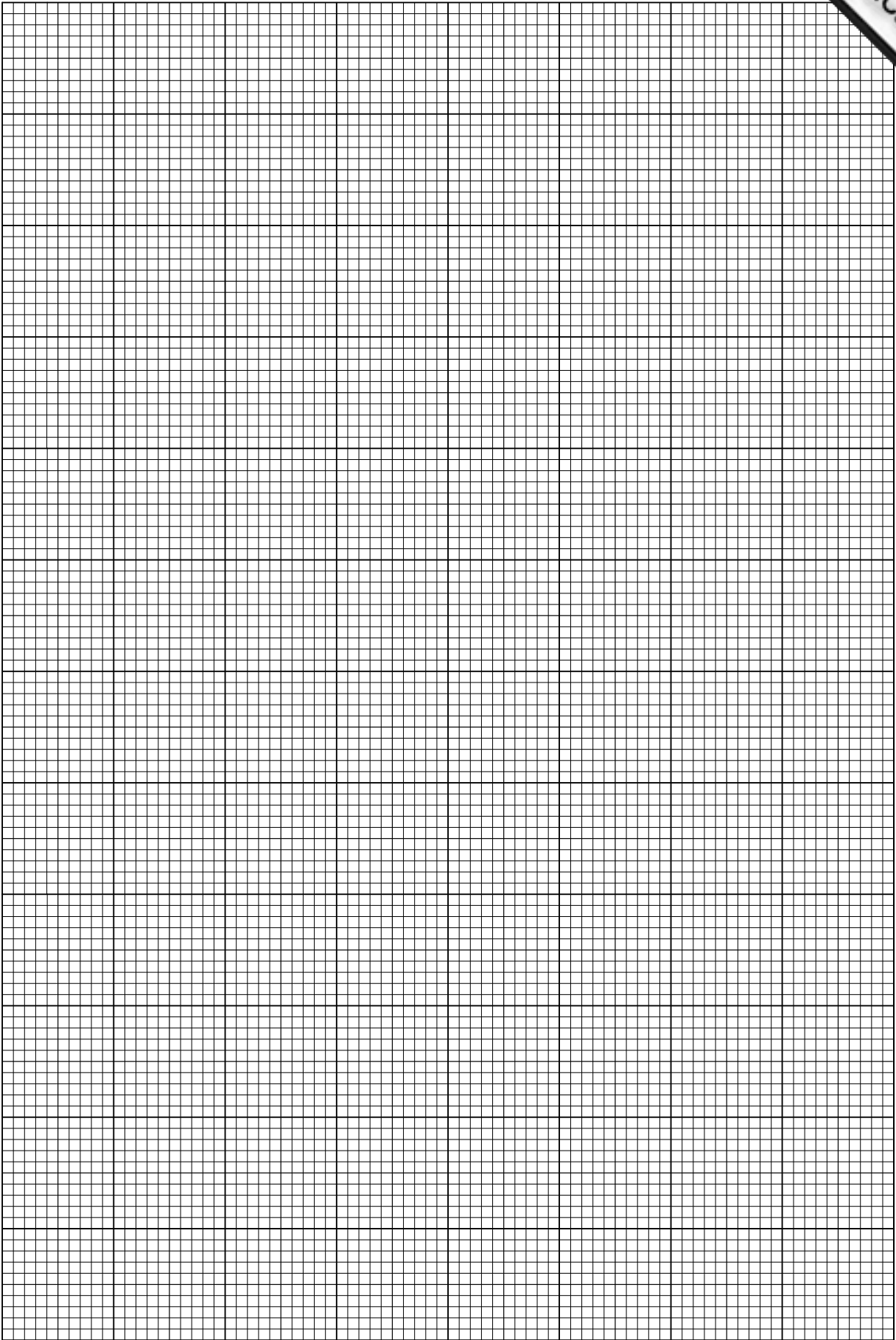
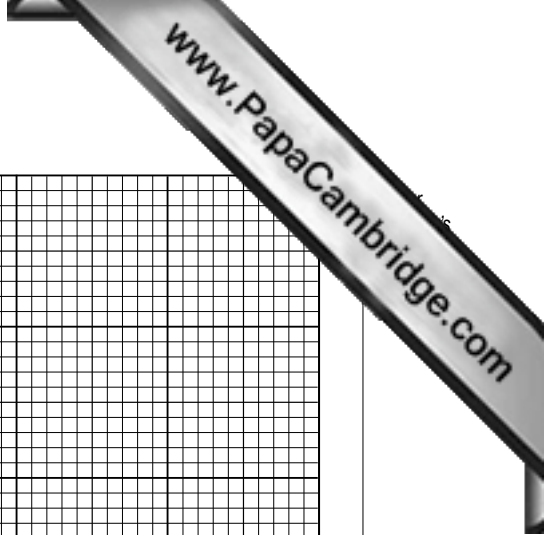





- (d) (i) Plot a graph of  $I$  on the  $y$ -axis against  $V^{10}$  on the  $x$ -axis.  
 (ii) Draw the straight line of best fit.  
 (iii) Determine the gradient and  $y$ -intercept of this line.

gradient = .....

$y$ -intercept = .....




- (e) It is suggested that the relationship between  $I$  and  $V$  is

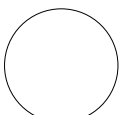
$$I = aV^{10} + b$$

where  $a$  and  $b$  are constants.

Using your answers from **(d)(iii)**, determine the values of  $a$  and  $b$ .  
Give appropriate units.

$a =$  .....

$b =$  .....

**Please turn over for Question 2.**

You may not need to use all of the materials provided.

- 2 In this experiment, you will investigate how the speed of a glass ball falling through oil depends on its size.

The apparatus has been set out for you as shown in Fig. 2.1.

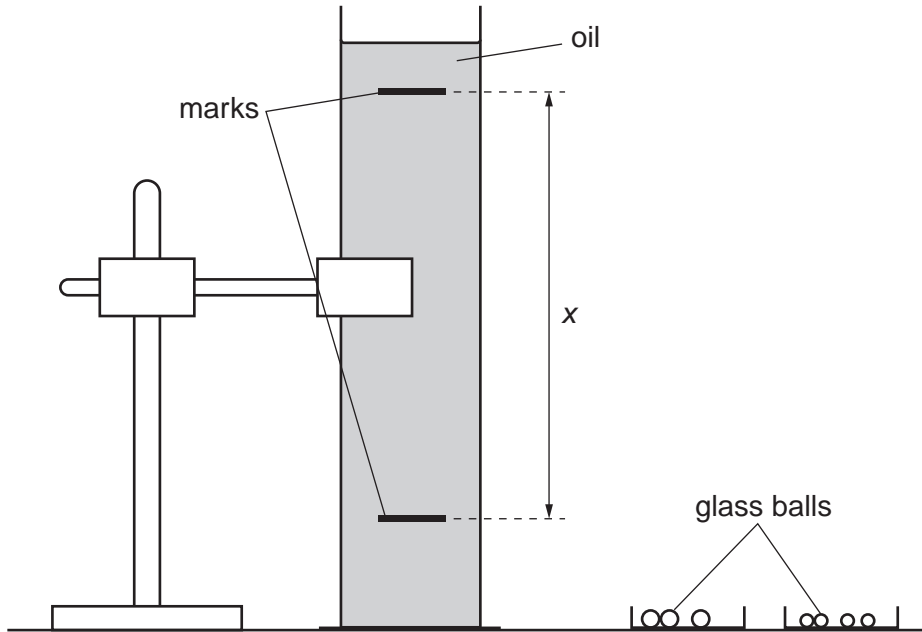


Fig. 2.1

- (a) Measure and record the distance  $x$  between the upper and lower marks on the measuring cylinder.

$x =$  .....





- (b) (i) You have been provided with two different sizes of glass ball: large and small. You have taken the following measurements to determine the diameter  $d$  of the small glass balls.

$d = \dots\dots\dots$  mm


- (ii) Take measurements to determine the time  $t$  for a small glass ball to fall distance  $x$  through the oil.  
Do not remove any balls from the oil. You may ask for more glass balls if needed.

$t = \dots\dots\dots$  s

--

- (c) Estimate the percentage uncertainty in your value of  $t$ .

percentage uncertainty =  $\dots\dots\dots$

--

- (d) Calculate the speed  $v$  of a small glass ball falling distance  $x$  through the oil.

$(v = \frac{x}{t})$

$v = \dots\dots\dots$

--

(e) Repeat (b) and (d) for the large glass balls.

$d = \dots\dots\dots$  mm

$t = \dots\dots\dots$  s

$v = \dots\dots\dots$

(f) It is suggested that the relationship between  $v$  and  $d$  is

$$v = kd^2$$

where  $k$  is a constant.

(i) Using your data, calculate two values of  $k$ .

first value of  $k = \dots\dots\dots$

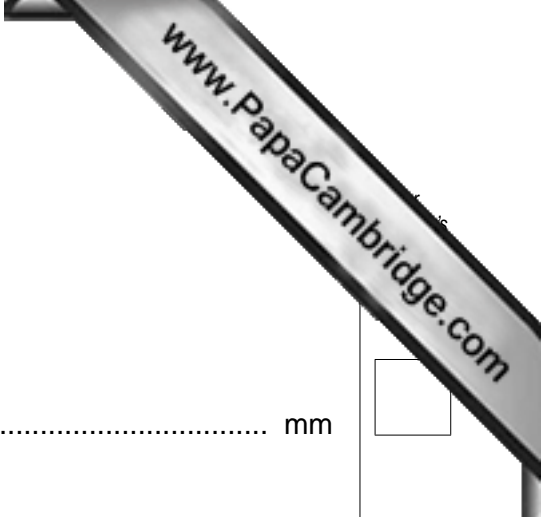
second value of  $k = \dots\dots\dots$

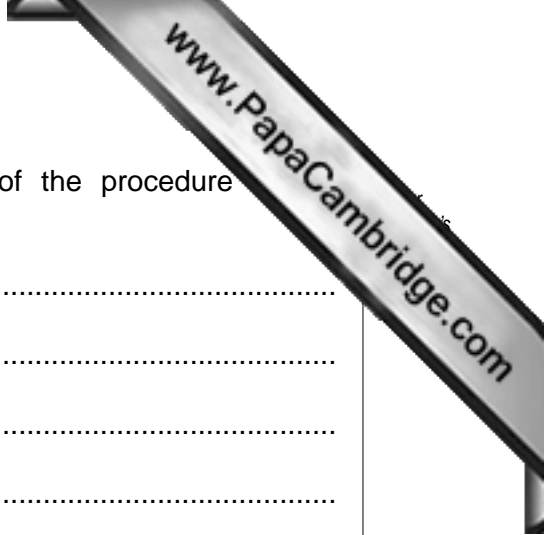
(ii) Explain whether your results support the suggested relationship.

.....  
.....  
.....

(iii) Justify the number of significant figures that you have given for your values of  $k$  in (i).

.....  
.....





(g) (i) Describe four sources of uncertainty or limitations of the procedure experiment.

- 1. ....  
.....
- 2. ....  
.....
- 3. ....  
.....
- 4. ....  
.....



(ii) Describe four improvements that could be made to this experiment. You may suggest the use of other apparatus or different procedures.

- 1. ....  
.....
- 2. ....  
.....
- 3. ....  
.....
- 4. ....  
.....

